

# **Component-Level Information Packet for 08591-60098**

## **Counterlock**



HP Part No. 08591-90175  
Printed in USA June 1997

**HP Part Number 08591-60098  
Counterlock**

Reference Designator	HP Part Number	Qty	Description	Mfr Code	Mfr Part Number
C1	0180-3846	1	CAP-FXD 15uF +-10% 25 V TA	28480	0180-3846
C2	0180-3846	1	CAP-FXD 15uF +-10% 25 V TA	28480	0180-3846
C3	0160-0575	1	CAP-FXD 0.047uF +-20% 50 V CER X7R	28480	0160-0575
C4	0180-3846	1	CAP-FXD 15uF +-10% 25 V TA	28480	0180-3846
C5	0180-3831	1	CAP-FXD 10uF +-10% 35 V TA	28480	0180-3831
C6	0160-4382	1	CAP-FXD 3.3pF +-7.58% 200 V CER C0G	28480	0160-4382
C7	0160-4554	1	CAP-FXD 0.01uF +-20% 50 V CER X7R	28480	0160-4554
C8	0180-3831	1	CAP-FXD 10uF +-10% 35 V TA	28480	0180-3831
C9	0160-0575	1	CAP-FXD 0.047uF +-20% 50 V CER X7R	28480	0160-0575
C11	0160-4517	1	CAP-FXD 1.2pF +-20.8% 200 V CER C0G	28480	0160-4517
C12	0160-5422	1	CAP-FXD 0.047uF +-20% 50 V CER X7R	28480	0160-5422
C13	0160-3879	1	CAP-FXD 0.01uF +-20% 100 V CER X7R	28480	0160-3879
C14	0160-5422	1	CAP-FXD 0.047uF +-20% 50 V CER X7R	28480	0160-5422
C15	0160-4825	1	CAP-FXD 560pF +-5% 100 V CER C0G	28480	0160-4825
C16	0160-3879	1	CAP-FXD 0.01uF +-20% 100 V CER X7R	28480	0160-3879
C17	0160-3879	1	CAP-FXD 0.01uF +-20% 100 V CER X7R	28480	0160-3879
C18	0180-3846	1	CAP-FXD 15uF +-10% 25 V TA	28480	0180-3846
C19	0180-3846	1	CAP-FXD 15uF +-10% 25 V TA	28480	0180-3846
C20	0160-4833	1	CAP-FXD 0.022uF +-10% 100 V CER X7R	28480	0160-4833
C21	0160-3879	1	CAP-FXD 0.01uF +-20% 100 V CER X7R	28480	0160-3879
C22	0180-3846	1	CAP-FXD 15uF +-10% 25 V TA	28480	0180-3846
C23	0160-4493	1	CAP-FXD 27pF +-5% 200 V CER C0G	28480	0160-4493
C24	0160-4084	1	CAP-FXD 0.1uF +-20% 50 V CER X7R	28480	0160-4084
C25	0160-5422	1	CAP-FXD 0.047uF +-20% 50 V CER X7R	28480	0160-5422
C26	0160-4493	1	CAP-FXD 27pF +-5% 200 V CER C0G	28480	0160-4493
C27	0160-4554	1	CAP-FXD 0.01uF +-20% 50 V CER X7R	28480	0160-4554
C28	0160-4493	1	CAP-FXD 27pF +-5% 200 V CER C0G	28480	0160-4493
C29	0160-4794	1	CAP-FXD 5.6pF +-8.92% 100 V CER C0G	28480	0160-4794
C30	0160-4788	1	CAP-FXD 18pF +-5% 100 V CER C0G	28480	0160-4788
C31	0160-0575	1	CAP-FXD 0.047uF +-20% 50 V CER X7R	28480	0160-0575
C32	0160-4802	1	CAP-FXD 82pF +-5% 100 V CER C0G	28480	0160-4802
C33	0160-0575	1	CAP-FXD 0.047uF +-20% 50 V CER X7R	28480	0160-0575
C35	0160-4803	1	CAP-FXD 68pF +-5% 100 V CER C0G	28480	0160-4803
C36	0160-4801	1	CAP-FXD 100pF +-5% 100 V CER C0G	28480	0160-4801
C37	0160-4788	1	CAP-FXD 18pF +-5% 100 V CER C0G	28480	0160-4788

*\*Indicates factory-selected value*

**HP Part Number 08591-60098  
Counterlock (continued)**

Reference Designator	HP Part Number	Qty	Description	Mfr Code	Mfr Part Number
C38	0160-4801	1	CAP-FXD 100pF +-5% 100 V CER C0G	28480	0160-4801
C39	0160-4802	1	CAP-FXD 82pF +-5% 100 V CER C0G	28480	0160-4802
C40	0160-4813	1	CAP-FXD 180pF +-5% 100 V CER C0G	28480	0160-4813
C41	0160-4814	1	CAP-FXD 150pF +-5% 100 V CER C0G	28480	0160-4814
C42	0160-4389	1	CAP-FXD 100pF +-5% 200 V CER C0G	28480	0160-4389
C43	0160-5349	1	CAP-FXD 200pF +-5% 100 V CER C0G	28480	0160-5349
C44	0160-4386	1	CAP-FXD 33pF +-5% 200 V CER C0G	28480	0160-4386
C45	0160-4547	1	CAP-FXD 150pF +-5% 200 V CER C0G	28480	0160-4547
C46	0160-0575	1	CAP-FXD 0.047uF +-20% 50 V CER X7R	28480	0160-0575
C47	0180-3850	1	CAP-FXD 68uF +-10% 10 V TA	28480	0180-3850
C48	0160-4832	1	CAP-FXD 0.01uF +-10% 100 V CER X7R	28480	0160-4832
C49	0160-4406	1	CAP-FXD 3300pF +-5% 100 V CER C0G	28480	0160-4406
C51	0160-4084	1	CAP-FXD 0.1uF +-20% 50 V CER X7R	28480	0160-4084
C52	0160-0575	1	CAP-FXD 0.047uF +-20% 50 V CER X7R	28480	0160-0575
C53	0160-5422	1	CAP-FXD 0.047uF +-20% 50 V CER X7R	28480	0160-5422
C54	0160-5422	1	CAP-FXD 0.047uF +-20% 50 V CER X7R	28480	0160-5422
C55	0160-5422	1	CAP-FXD 0.047uF +-20% 50 V CER X7R	28480	0160-5422
C56	0160-5422	1	CAP-FXD 0.047uF +-20% 50 V CER X7R	28480	0160-5422
C57	0160-4386	1	CAP-FXD 33pF +-5% 200 V CER C0G	28480	0160-4386
C58	0160-4814	1	CAP-FXD 150pF +-5% 100 V CER C0G	28480	0160-4814
C60	0160-4814	1	CAP-FXD 150pF +-5% 100 V CER C0G	28480	0160-4814
C61	0160-4386	1	CAP-FXD 33pF +-5% 200 V CER C0G	28480	0160-4386
C62	0160-3874	1	CAP-FXD 10pF +-5% 200 V CER C0G	28480	0160-3874
C63	0160-4523	1	CAP-FXD 16pF +-5% 200 V CER C0G	28480	0160-4523
C64	0160-4786	1	CAP-FXD 27pF +-5% 100 V CER C0G	28480	0160-4786
C65	0160-3874	1	CAP-FXD 10pF +-5% 200 V CER C0G	28480	0160-3874
C66	0160-4386	1	CAP-FXD 33pF +-5% 200 V CER C0G	28480	0160-4386
C67	0160-4040	1	CAP-FXD 1000pF +-5% 100 V CER C0G	28480	0160-4040
C68	0160-0575	1	CAP-FXD 0.047uF +-20% 50 V CER X7R	28480	0160-0575
C100	0160-4812	1	CAP-FXD 220pF +-5% 100 V CER C0G	28480	0160-4812
C101	0160-0575	1	CAP-FXD 0.047uF +-20% 50 V CER X7R	28480	0160-0575
C102	0160-4554	1	CAP-FXD 0.01uF +-20% 50 V CER X7R	28480	0160-4554
C103	0160-4789	1	CAP-FXD 15pF +-5% 100 V CER C0G	28480	0160-4789
C104	0160-5422	1	CAP-FXD 0.047uF +-20% 50 V CER X7R	28480	0160-5422
C105	0160-4554	1	CAP-FXD 0.01uF +-20% 50 V CER X7R	28480	0160-4554

**HP Part Number 08591-60098  
Counterlock (continued)**

Reference Designator	HP Part Number	Qty	Description	Mfr Code	Mfr Part Number
C106	0160-4574	1	CAP-FXD 1000pF +-10% 100 V CER X7R	28480	0160-4574
C107	0121-0061	1	CAP-VAR 18pF 5.5pF 350 V CER	28480	0121-0061
C108	0160-4383	1	CAP-FXD 6.8pF +-7.35% 200 V CER C0G	28480	0160-4383
C109	0160-4554	1	CAP-FXD 0.01uF +-20% 50 V CER X7R	28480	0160-4554
C110	0160-4554	1	CAP-FXD 0.01uF +-20% 50 V CER X7R	28480	0160-4554
C111	0160-4554	1	CAP-FXD 0.01uF +-20% 50 V CER X7R	28480	0160-4554
C112	0160-4554	1	CAP-FXD 0.01uF +-20% 50 V CER X7R	28480	0160-4554
C113	0160-4802	1	CAP-FXD 82pF +-5% 100 V CER C0G	28480	0160-4802
C114	0160-5422	1	CAP-FXD 0.047uF +-20% 50 V CER X7R	28480	0160-5422
C115	0180-3844	1	CAP-FXD 3.3uF +-10% 35 V TA	28480	0180-3844
C116	0160-4554	1	CAP-FXD 0.01uF +-20% 50 V CER X7R	28480	0160-4554
C117	0160-4574	1	CAP-FXD 1000pF +-10% 100 V CER X7R	28480	0160-4574
C118	0160-4399	1	CAP-FXD 0.66pF +-50% 50 V CER C0G	28480	0160-4399
C119	0160-4554	1	CAP-FXD 0.01uF +-20% 50 V CER X7R	28480	0160-4554
C120	0160-4554	1	CAP-FXD 0.01uF +-20% 50 V CER X7R	28480	0160-4554
C121	0160-4084	1	CAP-FXD 0.1uF +-20% 50 V CER X7R	28480	0160-4084
C122	0160-4084	1	CAP-FXD 0.1uF +-20% 50 V CER X7R	28480	0160-4084
C123	0160-4084	1	CAP-FXD 0.1uF +-20% 50 V CER X7R	28480	0160-4084
C124	0160-3879	1	CAP-FXD 0.01uF +-20% 100 V CER X7R	28480	0160-3879
C125	0160-4822	1	CAP-FXD 1000pF +-5% 100 V CER C0G	28480	0160-4822
C126	0160-4793	1	CAP-FXD 6.8pF +-7.35% 100 V CER C0G	28480	0160-4793
C127	0160-5699	1	CAP-FXD 20pF +-5% 100 V CER C0G	28480	0160-5699
C128	0160-4574	1	CAP-FXD 1000pF +-10% 100 V CER X7R	28480	0160-4574
C129	0160-4084	1	CAP-FXD 0.1uF +-20% 50 V CER X7R	28480	0160-4084
C130	0160-4574	1	CAP-FXD 1000pF +-10% 100 V CER X7R	28480	0160-4574
C131	0160-4557	1	CAP-FXD 0.1uF +-20% 50 V CER X7R	28480	0160-4557
C132	0160-4574	1	CAP-FXD 1000pF +-10% 100 V CER X7R	28480	0160-4574
C133	0160-5422	1	CAP-FXD 0.047uF +-20% 50 V CER X7R	28480	0160-5422
C134	0160-0575	1	CAP-FXD 0.047uF +-20% 50 V CER X7R	28480	0160-0575
C136	0160-4084	1	CAP-FXD 0.1uF +-20% 50 V CER X7R	28480	0160-4084
C137	0160-0575	1	CAP-FXD 0.047uF +-20% 50 V CER X7R	28480	0160-0575
C138	0160-4040	1	CAP-FXD 1000pF +-5% 100 V CER C0G	28480	0160-4040
C139	0160-3879	1	CAP-FXD 0.01uF +-20% 100 V CER X7R	28480	0160-3879
C140	0160-3874	1	CAP-FXD 10pF +-5% 200 V CER C0G	28480	0160-3874
C141	0160-3879	1	CAP-FXD 0.01uF +-20% 100 V CER X7R	28480	0160-3879

*\*Indicates factory-selected value*

**HP Part Number 08591-60098  
Counterlock (continued)**

Reference Designator	HP Part Number	Qty	Description	Mfr Code	Mfr Part Number
C200	0160-4040	1	CAP-FXD 1000pF +-5% 100 V CER C0G	28480	0160-4040
C201	0160-4574	1	CAP-FXD 1000pF +-10% 100 V CER X7R	28480	0160-4574
C202	0160-4835	1	CAP-FXD 0.1uF +-10% 50 V CER X7R	28480	0160-4835
C203	0160-4835	1	CAP-FXD 0.1uF +-10% 50 V CER X7R	28480	0160-4835
C204	0160-4574	1	CAP-FXD 1000pF +-10% 100 V CER X7R	28480	0160-4574
C205	0160-4790	1	CAP-FXD 12pF +-5% 100 V CER C0G	28480	0160-4790
C206	0160-4381	1	CAP-FXD 1.5pF +-16.67% 200 V CER C0G	28480	0160-4381
C207	0160-4084	1	CAP-FXD 0.1uF +-20% 50 V CER X7R	28480	0160-4084
C208	0160-4799	1	CAP-FXD 2.2pF +-11.36% 100 V CER C0G	28480	0160-4799
C209	0160-4835	1	CAP-FXD 0.1uF +-10% 50 V CER X7R	28480	0160-4835
C210	0160-4835	1	CAP-FXD 0.1uF +-10% 50 V CER X7R	28480	0160-4835
C211	0160-4790	1	CAP-FXD 12pF +-5% 100 V CER C0G	28480	0160-4790
C212	0160-4822	1	CAP-FXD 1000pF +-5% 100 V CER C0G	28480	0160-4822
C213	0160-5699	1	CAP-FXD 20pF +-5% 100 V CER C0G	28480	0160-5699
C214	0160-4835	1	CAP-FXD 0.1uF +-10% 50 V CER X7R	28480	0160-4835
C215	0160-4835	1	CAP-FXD 0.1uF +-10% 50 V CER X7R	28480	0160-4835
C216	0160-4835	1	CAP-FXD 0.1uF +-10% 50 V CER X7R	28480	0160-4835
C217	0160-4835	1	CAP-FXD 0.1uF +-10% 50 V CER X7R	28480	0160-4835
C218	0160-4835	1	CAP-FXD 0.1uF +-10% 50 V CER X7R	28480	0160-4835
C219	0160-5422	1	CAP-FXD 0.047uF +-20% 50 V CER X7R	28480	0160-5422
C220	0160-5422	1	CAP-FXD 0.047uF +-20% 50 V CER X7R	28480	0160-5422
C221	0160-4833	1	CAP-FXD 0.022uF +-10% 100 V CER X7R	28480	0160-4833
C222	0180-3831	1	CAP-FXD 10uF +-10% 35 V TA	28480	0180-3831
C223	0160-4554	1	CAP-FXD 0.01uF +-20% 50 V CER X7R	28480	0160-4554
C224	0180-3846	1	CAP-FXD 15uF +-10% 25 V TA	28480	0180-3846
C225	0160-0575	1	CAP-FXD 0.047uF +-20% 50 V CER X7R	28480	0160-0575
C226	0160-4040	1	CAP-FXD 1000pF +-5% 100 V CER C0G	28480	0160-4040
C227	0160-4040	1	CAP-FXD 1000pF +-5% 100 V CER C0G	28480	0160-4040
C228	0160-0575	1	CAP-FXD 0.047uF +-20% 50 V CER X7R	28480	0160-0575
C229	0160-0575	1	CAP-FXD 0.047uF +-20% 50 V CER X7R	28480	0160-0575
C230	0160-4030	1	CAP-FXD 820pF +-5% 100 V CER C0G	28480	0160-4030
C231	0180-3848	1	CAP-FXD 33uF +-10% 16 V TA	28480	0180-3848
C232	0160-4084	1	CAP-FXD 0.1uF +-20% 50 V CER X7R	28480	0160-4084
C233	0180-3831	1	CAP-FXD 10uF +-10% 35 V TA	28480	0180-3831
C234	0160-4030	1	CAP-FXD 820pF +-5% 100 V CER C0G	28480	0160-4030

**HP Part Number 08591-60098  
Counterlock (continued)**

Reference Designator	HP Part Number	Qty	Description	Mfr Code	Mfr Part Number
C235	0180-3848	1	CAP-FXD 33uF +-10% 16 V TA	28480	0180-3848
C236	0160-4084	1	CAP-FXD 0.1uF +-20% 50 V CER X7R	28480	0160-4084
C237	0160-5422	1	CAP-FXD 0.047uF +-20% 50 V CER X7R	28480	0160-5422
C238	0160-0575	1	CAP-FXD 0.047uF +-20% 50 V CER X7R	28480	0160-0575
C239	0160-0575	1	CAP-FXD 0.047uF +-20% 50 V CER X7R	28480	0160-0575
C240	0160-0575	1	CAP-FXD 0.047uF +-20% 50 V CER X7R	28480	0160-0575
C241	0160-0575	1	CAP-FXD 0.047uF +-20% 50 V CER X7R	28480	0160-0575
C300	0160-4040	1	CAP-FXD 1000pF +-5% 100 V CER C0G	28480	0160-4040
C301	0160-4040	1	CAP-FXD 1000pF +-5% 100 V CER C0G	28480	0160-4040
C302	0160-4040	1	CAP-FXD 1000pF +-5% 100 V CER C0G	28480	0160-4040
C303	0160-4040	1	CAP-FXD 1000pF +-5% 100 V CER C0G	28480	0160-4040
C304	0160-4040	1	CAP-FXD 1000pF +-5% 100 V CER C0G	28480	0160-4040
C305	0160-4040	1	CAP-FXD 1000pF +-5% 100 V CER C0G	28480	0160-4040
C306	0160-4040	1	CAP-FXD 1000pF +-5% 100 V CER C0G	28480	0160-4040
C307	0160-4040	1	CAP-FXD 1000pF +-5% 100 V CER C0G	28480	0160-4040
C308	0160-4623	1	CAP-FXD 3900pF +-5% 100 V CER C0G	28480	0160-4623
C309	0160-5404	1	CAP-FXD 360pF +-5% 100 V CER C0G	28480	0160-5404
C310	0160-6414	1	CAP-FXD 2400pF +-5% 100 V CER C0G	28480	0160-6414
C311	0160-0575	1	CAP-FXD 0.047uF +-20% 50 V CER X7R	28480	0160-0575
C312	0160-0575	1	CAP-FXD 0.047uF +-20% 50 V CER X7R	28480	0160-0575
C313	0160-0575	1	CAP-FXD 0.047uF +-20% 50 V CER X7R	28480	0160-0575
C314	0160-0575	1	CAP-FXD 0.047uF +-20% 50 V CER X7R	28480	0160-0575
C316	0160-4800	1	CAP-FXD 120pF +-5% 100 V CER C0G	28480	0160-4800
C317	0160-4825	1	CAP-FXD 560pF +-5% 100 V CER C0G	28480	0160-4825
C318	0160-4802	1	CAP-FXD 82pF +-5% 100 V CER C0G	28480	0160-4802
C319	0160-4835	1	CAP-FXD 0.1uF +-10% 50 V CER X7R	28480	0160-4835
C320	0160-4040	1	CAP-FXD 1000pF +-5% 100 V CER C0G	28480	0160-4040
C321	0160-4812	1	CAP-FXD 220pF +-5% 100 V CER C0G	28480	0160-4812
CR1	1901-1098	1	DIODE-SWITCHING 1N4150 50V 200MA 4NS	02237	1N4150
CR2	0122-0161	1	DIODE-VVC 2.15PF 7% C 3/C25-MIN=4.5	28480	0122-0161
CR3	1901-1098	1	DIODE-SWITCHING 1N4150 50V 200MA 4NS	02237	1N4150
CR4	1901-1098	1	DIODE-SWITCHING 1N4150 50V 200MA 4NS	02237	1N4150
CR6	1901-1098	1	DIODE-SWITCHING 1N4150 50V 200MA 4NS	02237	1N4150
CR7	1901-1098	1	DIODE-SWITCHING 1N4150 50V 200MA 4NS	02237	1N4150
CR100	1901-1098	1	DIODE-SWITCHING 1N4150 50V 200MA 4NS	02237	1N4150

*\*Indicates factory-selected value*

**HP Part Number 08591-60098  
Counterlock (continued)**

Reference Designator	HP Part Number	Qty	Description	Mfr Code	Mfr Part Number
CR101	1901-1098	1	DIODE-SWITCHING 1N4150 50V 200MA 4NS	02237	1N4150
CR200	1901-0535	1	DIODE-SCHOTTKY SM SIG	28480	1901-0535
CR201	1902-0951	1	DIODE-ZNR 5.1V 5% DO-35 PD=.4W TC=+.035%	02037	SZ30035-9RL
J1	1250-0543	1	CONNECTOR-RF SMB MALE PC-W-STDFS 50-OHM	28480	1250-0543
J2	1250-0543	1	CONNECTOR-RF SMB MALE PC-W-STDFS 50-OHM	28480	1250-0543
J3	1252-0637	1	CONN-POST TYPE .100-PIN-SPCG-MTG-END	28480	1252-0637
J4	1252-0448	1	CONN-POST TYPE .100-PIN-SPCG-MTG-END	28480	1252-0448
J5	1250-0543	1	CONNECTOR-RF SMB MALE PC-W-STDFS 50-OHM	28480	1250-0543
J8	1250-0257	1	CONNECTOR-RF SMB MALE PC-W-STDFS 50-OHM	28480	1250-0257
L1	9100-0539	1	INDUCTOR RF-CH-MLD 10uH +-5%	28480	9100-0539
L2	9100-0539	1	INDUCTOR RF-CH-MLD 10uH +-5%	28480	9100-0539
L3	9100-3560	1	INDUCTOR RF-CH-MLD 5.6uH +-5%	28480	9100-3560
L4	9100-2254	1	INDUCTOR RF-CH-MLD 390nH +-10%	28480	9100-2254
L5	9135-0075	1	INDUCTOR RF-CH-MLD 43nH +-6.047%	05524	
L9	9100-1629	1	INDUCTOR RF-CH-MLD 47uH +-5%	28480	9100-1629
L10	9100-2260	1	INDUCTOR RF-CH-MLD 1.8uH +-10%	28480	9100-2260
L11	9100-1629	1	INDUCTOR RF-CH-MLD 47uH +-5%	28480	9100-1629
L12	9100-1637	1	INDUCTOR RF-CH-MLD 120uH +-5%	28480	9100-1637
L100	9100-2262	1	INDUCTOR RF-CH-MLD 3.9uH +-10%	28480	9100-2262
L101	9140-0142	1	INDUCTOR RF-CH-MLD 2.2uH +-10%	28480	9140-0142
L102	9100-2252	1	INDUCTOR RF-CH-MLD 270nH +-10%	28480	9100-2252
L103	9100-2891	1	INDUCTOR RF-CH-MLD 50nH +-10%	28480	9100-2891
L104	9100-2262	1	INDUCTOR RF-CH-MLD 3.9uH +-10%	28480	9100-2262
L105	9100-2262	1	INDUCTOR RF-CH-MLD 3.9uH +-10%	28480	9100-2262
L106	9100-2262	1	INDUCTOR RF-CH-MLD 3.9uH +-10%	28480	9100-2262
L107	9100-2256	1	INDUCTOR RF-CH-MLD 560nH +-10%	28480	9100-2256
L108	9100-2251	1	INDUCTOR RF-CH-MLD 220nH +-10%	28480	9100-2251
L109	9100-2262	1	INDUCTOR RF-CH-MLD 3.9uH +-10%	28480	9100-2262
L110	9100-2262	1	INDUCTOR RF-CH-MLD 3.9uH +-10%	28480	9100-2262
L111	9100-2262	1	INDUCTOR RF-CH-MLD 3.9uH +-10%	28480	9100-2262
L201	9100-2247	1	INDUCTOR RF-CH-MLD 100nH +-10%	28480	9100-2247
L202	9100-2891	1	INDUCTOR RF-CH-MLD 50nH +-10%	28480	9100-2891
L203	9100-2256	1	INDUCTOR RF-CH-MLD 560nH +-10%	28480	9100-2256
L204	9100-2262	1	INDUCTOR RF-CH-MLD 3.9uH +-10%	28480	9100-2262
L205	9140-0210	1	INDUCTOR RF-CH-MLD 100uH +-5%	28480	9140-0210

**HP Part Number 08591-60098  
Counterlock (continued)**

Reference Designator	HP Part Number	Qty	Description	Mfr Code	Mfr Part Number
L206	9140-0210	1	INDUCTOR RF-CH-MLD 100uH +-5%	28480	9140-0210
L300	9100-1651	1	INDUCTOR RF-CH-MLD 750uH +-5%	28480	9100-1651
L301	9140-0144	1	INDUCTOR RF-CH-MLD 4.7uH +-10%	28480	9140-0144
L302	9100-2276	1	INDUCTOR RF-CH-MLD 100uH +-10%	28480	9100-2276
L303	9140-0144	1	INDUCTOR RF-CH-MLD 4.7uH +-10%	28480	9140-0144
MP4	0515-0368	1	SCREW-MACHINE ASSEMBLY M2.5 X 0.45	05610	
MP5	0515-0368	1	SCREW-MACHINE ASSEMBLY M2.5 X 0.45	05610	
MP6	0515-0368	1	SCREW-MACHINE ASSEMBLY M2.5 X 0.45	05610	
MP7	0515-0368	1	SCREW-MACHINE ASSEMBLY M2.5 X 0.45	05610	
MP8	0515-0368	1	SCREW-MACHINE ASSEMBLY M2.5 X 0.45	05610	
MP9	0515-0368	1	SCREW-MACHINE ASSEMBLY M2.5 X 0.45	05610	
MP10	0515-0368	1	SCREW-MACHINE ASSEMBLY M2.5 X 0.45	05610	
MP11	0515-0368	1	SCREW-MACHINE ASSEMBLY M2.5 X 0.45	05610	
MP12	0515-0368	1	SCREW-MACHINE ASSEMBLY M2.5 X 0.45	05610	
MP13	0515-0368	1	SCREW-MACHINE ASSEMBLY M2.5 X 0.45	05610	
MP14	0515-0368	1	SCREW-MACHINE ASSEMBLY M2.5 X 0.45	05610	
MP15	0515-0368	1	SCREW-MACHINE ASSEMBLY M2.5 X 0.45	05610	
MP16	0515-0367	1	SCREW-MACHINE ASSEMBLY M2.5 X 0.45	05610	
MP17	0515-0367	1	SCREW-MACHINE ASSEMBLY M2.5 X 0.45	05610	
MP18	0515-0894	1	SCREW-MACH M2.5 X 0.45 6MM-LG PAN-HD	05610	
MP19	0515-0894	1	SCREW-MACH M2.5 X 0.45 6MM-LG PAN-HD	05610	
MP20	0515-0894	1	SCREW-MACH M2.5 X 0.45 6MM-LG PAN-HD	05610	
MP21	0515-0894	1	SCREW-MACH M2.5 X 0.45 6MM-LG PAN-HD	05610	
MP22	5022-0070	1	BOT SHLD-CNTRLK	28480	5022-0070
MP23	5063-0233	1	AY-TOP SHIELD	28480	5063-0233
Q1	1855-0555	1	TRANSISTOR MOSFET N-CHAN E-MODE SI	28480	1855-0555
Q2	1854-0345	1	TRANSISTOR NPN 2N5179 SI TO-72 PD=200MW	28480	1854-0345
Q3	1854-0591	1	TRANSISTOR NPN SI PD=180MW FT=4GHZ	28480	1854-0591
Q4	1854-1032	1	TRANSISTOR NPN SI PD=2.5W	28480	1854-1032
Q5	1853-0036	1	TRANSISTOR PNP SI TO-92 PD=625MW	28480	1853-0036
Q7	1855-0402	1	TRANSISTOR J-FET 2N5115 P-CHAN D-MODE	02237	
Q200	1854-0345	1	TRANSISTOR NPN 2N5179 SI TO-72 PD=200MW	28480	1854-0345
Q201	1854-0591	1	TRANSISTOR NPN SI PD=180MW FT=4GHZ	28480	1854-0591
Q202	1854-0345	1	TRANSISTOR NPN 2N5179 SI TO-72 PD=200MW	28480	1854-0345
Q203	1854-0345	1	TRANSISTOR NPN 2N5179 SI TO-72 PD=200MW	28480	1854-0345

*\*Indicates factory-selected value*



**HP Part Number 08591-60098  
Counterlock (continued)**

Reference Designator	HP Part Number	Qty	Description	Mfr Code	Mfr Part Number
Q204	1853-0036	1	TRANSISTOR PNP SI TO-92 PD=625MW	28480	1853-0036
Q205	1855-0414	1	TRANSISTOR J-FET 2N4393 N-CHAN D-MODE	02237	
Q206	1854-0215	1	TRANSISTOR NPN SI TO-92 PD=625MW	02237	2N3904
Q207	1854-0215	1	TRANSISTOR NPN SI TO-92 PD=625MW	02237	2N3904
Q208	1855-0518	1	TRANSISTOR MOSFET N-CHAN E-MODE SI	28480	1855-0518
Q209	1855-0518	1	TRANSISTOR MOSFET N-CHAN E-MODE SI	28480	1855-0518
Q210	1854-0215	1	TRANSISTOR NPN SI TO-92 PD=625MW	02237	2N3904
R1	0698-7260	1	RESISTOR 10K +-1% .05W TF TC=0+-100	28480	0698-7260
R2	0698-7260	1	RESISTOR 10K +-1% .05W TF TC=0+-100	28480	0698-7260
R3	0698-7251	1	RESISTOR 4.22K +-1% .05W TF TC=0+-100	28480	0698-7251
R5	0698-7251	1	RESISTOR 4.22K +-1% .05W TF TC=0+-100	28480	0698-7251
R6	0698-7229	1	RESISTOR 511 +-1% .05W TF TC=0+-100	28480	0698-7229
R7	0698-7205	1	RESISTOR 51.1 +-1% .05W TF TC=0+-100	28480	0698-7205
R8	0698-0082	1	RESISTOR 464 +-1% .125W TF TC=0+-100	28480	0698-0082
R9	0698-7240	1	RESISTOR 1.47K +-1% .05W TF TC=0+-100	28480	0698-7240
R10	0698-7260	1	RESISTOR 10K +-1% .05W TF TC=0+-100	28480	0698-7260
R11	0698-7253	1	RESISTOR 5.11K +-1% .05W TF TC=0+-100	28480	0698-7253
R12	0757-0280	1	RESISTOR 1K +-1% .125W TF TC=0+-100	28480	0757-0280
R13	0698-7248	1	RESISTOR 3.16K +-1% .05W TF TC=0+-100	28480	0698-7248
R14	0757-0420	1	RESISTOR 750 +-1% .125W TF TC=0+-100	28480	0757-0420
R15	0698-7248	1	RESISTOR 3.16K +-1% .05W TF TC=0+-100	28480	0698-7248
R16	0698-3444	1	RESISTOR 316 +-1% .125W TF TC=0+-100	28480	0698-3444
R17	0757-0419	1	RESISTOR 681 +-1% .25W TF TC=0+-100	28480	0757-0419
R18	0698-7188	1	RESISTOR 10 +-1% .05W TF TC=0+-100	28480	0698-7188
R19	0757-0440	1	RESISTOR 7.5K +-1% .125W TF TC=0+-100	28480	0757-0440
R20	0698-7197	1	RESISTOR 23.7 +-1% .05W TF TC=0+-100	28480	0698-7197
R21	0698-7283	1	RESISTOR 90.9K +-1% .05W TF TC=0+-100	28480	0698-7283
R22	0698-7236	1	RESISTOR 1K +-1% .05W TF TC=0+-100	28480	0698-7236
R23	0698-3443	1	RESISTOR 287 +-1% .125W TF TC=0+-100	28480	0698-3443
R24	0698-3443	1	RESISTOR 287 +-1% .125W TF TC=0+-100	28480	0698-3443
R25	0698-7236	1	RESISTOR 1K +-1% .05W TF TC=0+-100	28480	0698-7236
R26	0698-7236	1	RESISTOR 1K +-1% .05W TF TC=0+-100	28480	0698-7236
R28	0698-7260	1	RESISTOR 10K +-1% .05W TF TC=0+-100	28480	0698-7260
R29	0698-7260	1	RESISTOR 10K +-1% .05W TF TC=0+-100	28480	0698-7260
R30	0698-7212	1	RESISTOR 100 +-1% .05W TF TC=0+-100	28480	0698-7212

**HP Part Number 08591-60098  
Counterlock (continued)**

Reference Designator	HP Part Number	Qty	Description	Mfr Code	Mfr Part Number
R31	0698-7236	1	RESISTOR 1K +-1% .05W TF TC=0+-100	28480	0698-7236
R34	0698-7188	1	RESISTOR 10 +-1% .05W TF TC=0+-100	28480	0698-7188
R35	0698-7260	1	RESISTOR 10K +-1% .05W TF TC=0+-100	28480	0698-7260
R36	0698-7258	1	RESISTOR 8.25K +-1% .05W TF TC=0+-100	28480	0698-7258
R37	0698-7258	1	RESISTOR 8.25K +-1% .05W TF TC=0+-100	28480	0698-7258
R39	0698-7252	1	RESISTOR 4.64K +-1% .05W TF TC=0+-100	28480	0698-7252
R40	0698-7252	1	RESISTOR 4.64K +-1% .05W TF TC=0+-100	28480	0698-7252
R41	0698-7248	1	RESISTOR 3.16K +-1% .05W TF TC=0+-100	28480	0698-7248
R42	0698-7260	1	RESISTOR 10K +-1% .05W TF TC=0+-100	28480	0698-7260
R43	0698-7239	1	RESISTOR 1.33K +-1% .05W TF TC=0+-100	28480	0698-7239
R44	0757-0416	1	RESISTOR 511 +-1% .125W TF TC=0+-100	28480	0757-0416
R45	0698-7260	1	RESISTOR 10K +-1% .05W TF TC=0+-100	28480	0698-7260
R46	0698-7268	1	RESISTOR 21.5K +-1% .05W TF TC=0+-100	28480	0698-7268
R47	0698-7212	1	RESISTOR 100 +-1% .05W TF TC=0+-100	28480	0698-7212
R51	0698-7251	1	RESISTOR 4.22K +-1% .05W TF TC=0+-100	28480	0698-7251
R52	0698-7236	1	RESISTOR 1K +-1% .05W TF TC=0+-100	28480	0698-7236
R53	0757-0401	1	RESISTOR 100 +-1% .125W TF TC=0+-100	28480	0757-0401
R54	0698-7205	1	RESISTOR 51.1 +-1% .05W TF TC=0+-100	28480	0698-7205
R55	0698-7253	1	RESISTOR 5.11K +-1% .05W TF TC=0+-100	28480	0698-7253
R56	0698-7244	1	RESISTOR 2.15K +-1% .05W TF TC=0+-100	28480	0698-7244
R57	0698-7244	1	RESISTOR 2.15K +-1% .05W TF TC=0+-100	28480	0698-7244
R100	0698-7260	1	RESISTOR 10K +-1% .05W TF TC=0+-100	28480	0698-7260
R101	0698-7253	1	RESISTOR 5.11K +-1% .05W TF TC=0+-100	28480	0698-7253
R102	0698-7243	1	RESISTOR 1.96K +-1% .05W TF TC=0+-100	28480	0698-7243
R104	0757-0394	1	RESISTOR 51.1 +-1% .125W TF TC=0+-100	28480	0757-0394
R105	0698-7282	1	RESISTOR 82.5K +-1% .05W TF TC=0+-100	28480	0698-7282
R106	0698-7242	1	RESISTOR 1.78K +-1% .05W TF TC=0+-100	28480	0698-7242
R107	0698-7284	1	RESISTOR 100K +-1% .05W TF TC=0+-100	28480	0698-7284
R108	0698-7282	1	RESISTOR 82.5K +-1% .05W TF TC=0+-100	28480	0698-7282
R109	0698-7236	1	RESISTOR 1K +-1% .05W TF TC=0+-100	28480	0698-7236
R110	0757-0394	1	RESISTOR 51.1 +-1% .125W TF TC=0+-100	28480	0757-0394
R111	0698-7240	1	RESISTOR 1.47K +-1% .05W TF TC=0+-100	28480	0698-7240
R112	0698-7282	1	RESISTOR 82.5K +-1% .05W TF TC=0+-100	28480	0698-7282
R113	0698-7240	1	RESISTOR 1.47K +-1% .05W TF TC=0+-100	28480	0698-7240
R114	0698-7282	1	RESISTOR 82.5K +-1% .05W TF TC=0+-100	28480	0698-7282

*\*Indicates factory-selected value*

**HP Part Number 08591-60098  
Counterlock (continued)**

Reference Designator	HP Part Number	Qty	Description	Mfr Code	Mfr Part Number
R115	0698-7243	1	RESISTOR 1.96K +-1% .05W TF TC=0+-100	28480	0698-7243
R116	0698-7284	1	RESISTOR 100K +-1% .05W TF TC=0+-100	28480	0698-7284
R118	0698-7241	1	RESISTOR 1.62K +-1% .05W TF TC=0+-100	28480	0698-7241
R119	0698-7243	1	RESISTOR 1.96K +-1% .05W TF TC=0+-100	28480	0698-7243
R120	0757-0394	1	RESISTOR 51.1 +-1% .125W TF TC=0+-100	28480	0757-0394
R121	0698-7248	1	RESISTOR 3.16K +-1% .05W TF TC=0+-100	28480	0698-7248
R122	0698-7212	1	RESISTOR 100 +-1% .05W TF TC=0+-100	28480	0698-7212
R123	0698-7241	1	RESISTOR 1.62K +-1% .05W TF TC=0+-100	28480	0698-7241
R124	0757-0416	1	RESISTOR 511 +-1% .125W TF TC=0+-100	28480	0757-0416
R125	0698-3429	1	RESISTOR 19.6 +-1% .125W TF TC=0+-100	28480	0698-3429
R126	0698-7243	1	RESISTOR 1.96K +-1% .05W TF TC=0+-100	28480	0698-7243
R127	0698-7236	1	RESISTOR 1K +-1% .05W TF TC=0+-100	28480	0698-7236
R128	0698-7236	1	RESISTOR 1K +-1% .05W TF TC=0+-100	28480	0698-7236
R129	0698-7243	1	RESISTOR 1.96K +-1% .05W TF TC=0+-100	28480	0698-7243
R130	0698-7229	1	RESISTOR 511 +-1% .05W TF TC=0+-100	28480	0698-7229
R131	0698-7212	1	RESISTOR 100 +-1% .05W TF TC=0+-100	28480	0698-7212
R132	0698-7229	1	RESISTOR 511 +-1% .05W TF TC=0+-100	28480	0698-7229
R200	0698-7205	1	RESISTOR 51.1 +-1% .05W TF TC=0+-100	28480	0698-7205
R201	0757-0421	1	RESISTOR 825 +-1% .125W TF TC=0+-100	28480	0757-0421
R202	0757-0418	1	RESISTOR 619 +-1% .125W TF TC=0+-100	28480	0757-0418
R203	0757-0418	1	RESISTOR 619 +-1% .125W TF TC=0+-100	28480	0757-0418
R204	0698-7228	1	RESISTOR 464 +-1% .05W TF TC=0+-100	28480	0698-7228
R205	0698-7206	1	RESISTOR 56.2 +-1% .05W TF TC=0+-100	28480	0698-7206
R206	0698-7206	1	RESISTOR 56.2 +-1% .05W TF TC=0+-100	28480	0698-7206
R207	0698-7209	1	RESISTOR 75 +-1% .05W TF TC=0+-100	28480	0698-7209
R208	0698-7212	1	RESISTOR 100 +-1% .05W TF TC=0+-100	28480	0698-7212
R209	0698-7212	1	RESISTOR 100 +-1% .05W TF TC=0+-100	28480	0698-7212
R210	0698-7264	1	RESISTOR 14.7K +-1% .05W TF TC=0+-100	28480	0698-7264
R211	0698-7231	1	RESISTOR 619 +-1% .05W TF TC=0+-100	28480	0698-7231
R212	0698-7212	1	RESISTOR 100 +-1% .05W TF TC=0+-100	28480	0698-7212
R213	0698-7265	1	RESISTOR 16.2K +-1% .05W TF TC=0+-100	28480	0698-7265
R214	0757-0317	1	RESISTOR 1.33K +-1% .125W TF TC=0+-100	28480	0757-0317
R215	0757-0428	1	RESISTOR 1.62K +-1% .125W TF TC=0+-100	28480	0757-0428
R216	0698-7255	1	RESISTOR 6.19K +-1% .05W TF TC=0+-100	28480	0698-7255
R217	0757-0420	1	RESISTOR 750 +-1% .125W TF TC=0+-100	28480	0757-0420

**HP Part Number 08591-60098  
Counterlock (continued)**

Reference Designator	HP Part Number	Qty	Description	Mfr Code	Mfr Part Number
R218	0757-0317	1	RESISTOR 1.33K +-1% .125W TF TC=0+-100	28480	0757-0317
R219	0757-1094	1	RESISTOR 1.47K +-1% .125W TF TC=0+-100	28480	0757-1094
R220	0698-7205	1	RESISTOR 51.1 +-1% .05W TF TC=0+-100	28480	0698-7205
R221	0698-7236	1	RESISTOR 1K +-1% .05W TF TC=0+-100	28480	0698-7236
R223	0757-0421	1	RESISTOR 825 +-1% .125W TF TC=0+-100	28480	0757-0421
R224	0698-7288	1	RESISTOR 147K +-1% .05W TF TC=0+-100	28480	0698-7288
R225	0757-0420	1	RESISTOR 750 +-1% .125W TF TC=0+-100	28480	0757-0420
R226	0698-3155	1	RESISTOR 4.64K +-1% .125W TF TC=0+-100	28480	0698-3155
R227	0698-7260	1	RESISTOR 10K +-1% .05W TF TC=0+-100	28480	0698-7260
R228	0698-7268	1	RESISTOR 21.5K +-1% .05W TF TC=0+-100	28480	0698-7268
R229	0698-3151	1	RESISTOR 2.87K +-1% .125W TF TC=0+-100	28480	0698-3151
R230	0757-0290	1	RESISTOR 6.19K +-1% .125W TF TC=0+-100	28480	0757-0290
R231	0757-0416	1	RESISTOR 511 +-1% .125W TF TC=0+-100	28480	0757-0416
R232	0698-7236	1	RESISTOR 1K +-1% .05W TF TC=0+-100	28480	0698-7236
R233	0698-7236	1	RESISTOR 1K +-1% .05W TF TC=0+-100	28480	0698-7236
R234	0698-7260	1	RESISTOR 10K +-1% .05W TF TC=0+-100	28480	0698-7260
R235	0698-7260	1	RESISTOR 10K +-1% .05W TF TC=0+-100	28480	0698-7260
R236	0698-7188	1	RESISTOR 10 +-1% .05W TF TC=0+-100	28480	0698-7188
R237	0698-7236	1	RESISTOR 1K +-1% .05W TF TC=0+-100	28480	0698-7236
R238	0698-7236	1	RESISTOR 1K +-1% .05W TF TC=0+-100	28480	0698-7236
R239	0698-7236	1	RESISTOR 1K +-1% .05W TF TC=0+-100	28480	0698-7236
R240	0698-7236	1	RESISTOR 1K +-1% .05W TF TC=0+-100	28480	0698-7236
R241	0698-7260	1	RESISTOR 10K +-1% .05W TF TC=0+-100	28480	0698-7260
R242	0698-7243	1	RESISTOR 1.96K +-1% .05W TF TC=0+-100	28480	0698-7243
R243	0698-7205	1	RESISTOR 51.1 +-1% .05W TF TC=0+-100	28480	0698-7205
R244	0698-7205	1	RESISTOR 51.1 +-1% .05W TF TC=0+-100	28480	0698-7205
R245	0698-7205	1	RESISTOR 51.1 +-1% .05W TF TC=0+-100	28480	0698-7205
R246	0698-7205	1	RESISTOR 51.1 +-1% .05W TF TC=0+-100	28480	0698-7205
R247	0698-7205	1	RESISTOR 51.1 +-1% .05W TF TC=0+-100	28480	0698-7205
R248	0698-7212	1	RESISTOR 100 +-1% .05W TF TC=0+-100	28480	0698-7212
R249	0698-7212	1	RESISTOR 100 +-1% .05W TF TC=0+-100	28480	0698-7212
R251	0698-7205	1	RESISTOR 51.1 +-1% .05W TF TC=0+-100	28480	0698-7205
R252	0698-7236	1	RESISTOR 1K +-1% .05W TF TC=0+-100	28480	0698-7236
R253	0698-8816	1	RESISTOR 2.15 +-1% .125W TF TC=0+-100	28480	0698-8816
R254	0698-7260	1	RESISTOR 10K +-1% .05W TF TC=0+-100	28480	0698-7260

*\*Indicates factory-selected value*

**HP Part Number 08591-60098  
Counterlock (continued)**

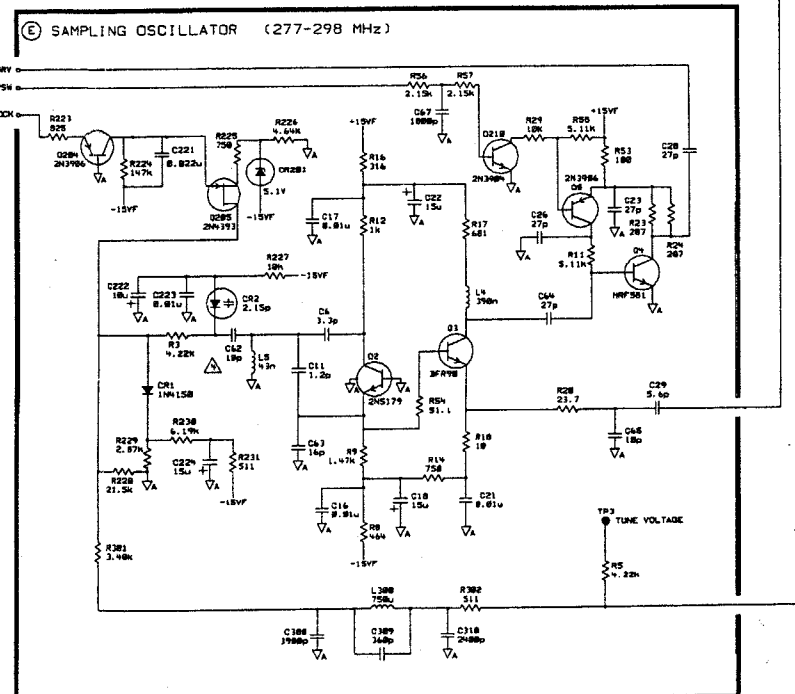
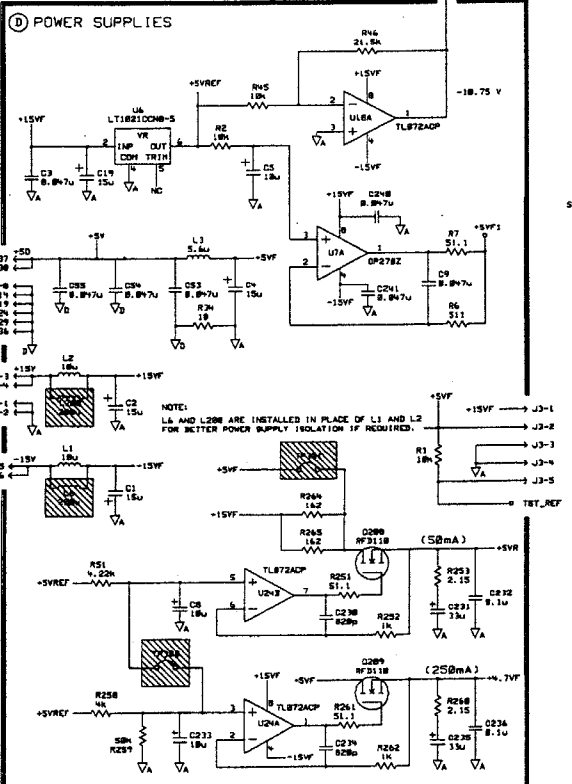
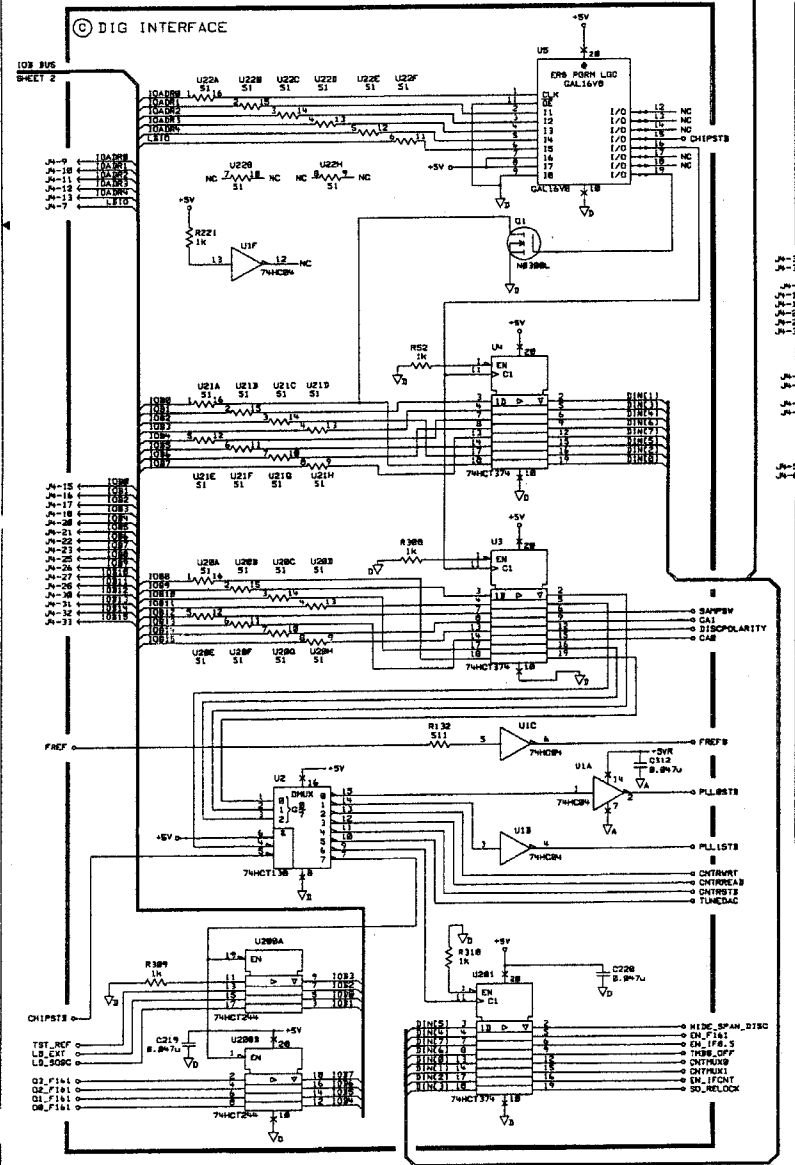
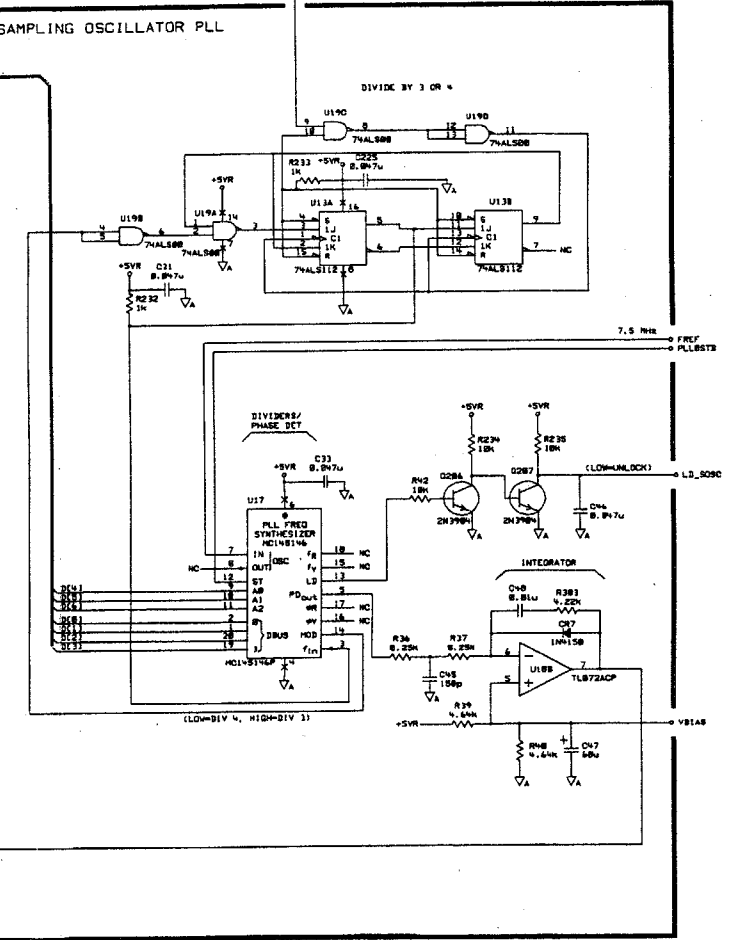
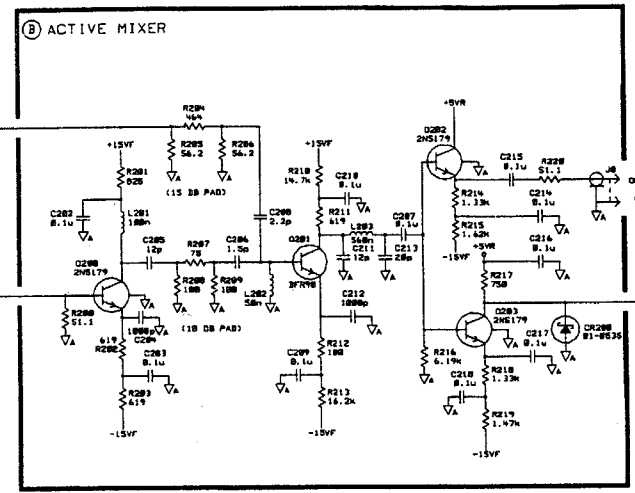
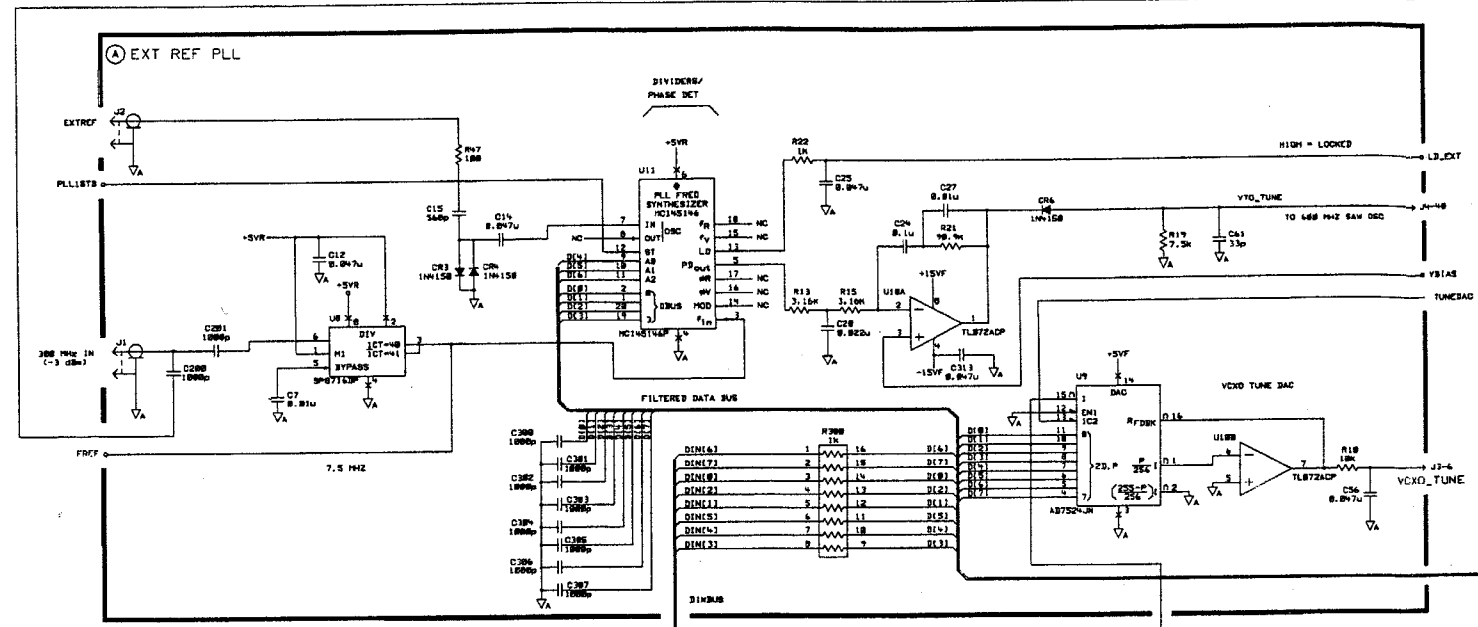
Reference Designator	HP Part Number	Qty	Description	Mfr Code	Mfr Part Number
R256	0698-7236	1	RESISTOR 1K +-1% .05W TF TC=0+-100	28480	0698-7236
R257	0698-7236	1	RESISTOR 1K +-1% .05W TF TC=0+-100	28480	0698-7236
R258	0698-6322	1	RESISTOR 4K +-0.1% .125W TF TC=0+-25	28480	0698-6322
R259	0698-6353	1	RESISTOR 50K +-0.1% .125W TF TC=0+-25	28480	0698-6353
R260	0698-8816	1	RESISTOR 2.15 +-1% .125W TF TC=0+-100	28480	0698-8816
R261	0698-7205	1	RESISTOR 51.1 +-1% .05W TF TC=0+-100	28480	0698-7205
R262	0698-7236	1	RESISTOR 1K +-1% .05W TF TC=0+-100	28480	0698-7236
R264	0757-0405	1	RESISTOR 162 +-1% .125W TF TC=0+-100	28480	0757-0405
R265	0757-0405	1	RESISTOR 162 +-1% .125W TF TC=0+-100	28480	0757-0405
R266	0698-7260	1	RESISTOR 10K +-1% .05W TF TC=0+-100	28480	0698-7260
R300	1810-0037	1	NET-RES 8 1.0K OHM 16-DIP	28480	1810-0037
R301	0698-7249	1	RESISTOR 3.48K +-1% .05W TF TC=0+-100	28480	0698-7249
R302	0698-7229	1	RESISTOR 511 +-1% .05W TF TC=0+-100	28480	0698-7229
R303	0698-7251	1	RESISTOR 4.22K +-1% .05W TF TC=0+-100	28480	0698-7251
R304	0698-7212	1	RESISTOR 100 +-1% .05W TF TC=0+-100	28480	0698-7212
R305	0698-7212	1	RESISTOR 100 +-1% .05W TF TC=0+-100	28480	0698-7212
R306	0698-7236	1	RESISTOR 1K +-1% .05W TF TC=0+-100	28480	0698-7236
R308	0698-7236	1	RESISTOR 1K +-1% .05W TF TC=0+-100	28480	0698-7236
R309	0698-7236	1	RESISTOR 1K +-1% .05W TF TC=0+-100	28480	0698-7236
R310	0698-7236	1	RESISTOR 1K +-1% .05W TF TC=0+-100	28480	0698-7236
R311	0698-7212	1	RESISTOR 100 +-1% .05W TF TC=0+-100	28480	0698-7212
R312	0699-1748	1	RESISTOR 287K +-1% .05W TF TC=0+-100	28480	0699-1748
R313	0698-7229	1	RESISTOR 511 +-1% .05W TF TC=0+-100	28480	0698-7229
T100	9100-4772	1	TRANSFORMER-RF FREQ RANGE, 2 TO 600 MHz	02739	TM04-2
TP3	0360-0535	1	CONNECTOR-SGL CONT TML-TS-PT	13296	330.100-TIN PLATED
U1	1820-2921	1	IC INV CMOS/HC HEX	28480	1820-2921
U2	1820-3847	1	IC DCDR-DEMURX CMOS/HCT BIN 3-TO-8-LINE	28480	1820-3847
U3	1820-3848	1	IC FF CMOS/HCT D-TYPE POS-EDGE-TRIG COM	28480	1820-3848
U4	1820-3848	1	IC FF CMOS/HCT D-TYPE POS-EDGE-TRIG COM	28480	1820-3848
U5	08590-80105	1	PAL-PRGM U1	28480	08590-80105
U6	1826-1431	1	IC PWR MGT-V-REF-FXD 4.9975/5.0025V 8	28480	1826-1431
U7	1826-2089	1	IC OP AMP LOW-NOISE DUAL 8 PIN DIP-C	28480	1826-2089
U8	1820-6140	1	IC DIVR ECL DIV-X-N	28480	1820-6140
U9	1826-0639	1	D/A 8-BIT 16-PLASTIC CMOS	28480	1826-0639
U10	1826-0547	1	IC OP AMP LOW-BIAS-H-IMPED DUAL 8 PIN	28480	1826-0547

**HP Part Number 08591-60098  
Counterlock (continued)**

Reference Designator	HP Part Number	Qty	Description	Mfr Code	Mfr Part Number
U11	1820-3405	1	IC MISC CMOS 4-BIT	28480	1820-3405
U12	1820-2684	1	IC GATE TTL/F NAND QUAD 2-INP	02237	74F00PC.
U13	1820-2772	1	IC FF TTL/ALS J-K NEG-EDGE-TRIG	28480	1820-2772
U14	1820-6408	1	IC GATE CMOS/AC EXCL-OR QUAD 2-INP	28480	1820-6408
U15	1826-1913	1	IC OSC DBL-BAL 8 PIN DIP-P	28480	1826-1913
U16	1826-0065	1	IC COMPARATOR PRCN 8 PIN DIP-P	28480	1826-0065
U17	1820-3405	1	IC MISC CMOS 4-BIT	28480	1820-3405
U18	1826-0547	1	IC OP AMP LOW-BIAS-H-IMPED DUAL 8 PIN	28480	1826-0547
U19	1820-2656	1	IC GATE TTL/ALS NAND QUAD 2-INP	28480	1820-2656
U20	1810-0301	1	NET-RES 8 51.0 OHM 16-DIP	28480	1810-0301
U21	1810-0301	1	NET-RES 8 51.0 OHM 16-DIP	28480	1810-0301
U22	1810-0301	1	NET-RES 8 51.0 OHM 16-DIP	28480	1810-0301
U23	1820-3191	1	IC MUXR/DATA-SEL CMOS/HC 2-TO-1-LINE	02237	MM74HC257N
U24	1826-0547	1	IC OP AMP LOW-BIAS-H-IMPED DUAL 8 PIN	28480	1826-0547
U100	5086-7806	1	SAMPLER AY	28480	5086-7806
U101	1826-1945	1	IC DIFF AMPL 8 PIN DIP-P	28480	1826-1945
U102	1826-1945	1	IC DIFF AMPL 8 PIN DIP-P	28480	1826-1945
U103	1820-1888	1	IC PRESCR ECL	28480	1820-1888
U104	1820-3397	1	IC MUXR/DATA-SEL TTL/ALS 4-TO-1-LINE	28480	1820-3397
U105	1820-4669	1	IC-PROGRAMMABLE INTERVAL TIMER - 8MHZ	28480	1820-4669
U106	1820-6219	1	IC CNTR CMOS/HCT BIN SYNC/ASYNC	28480	1820-6219
U107	1826-1946	1	IC RF/IF AMPL 8 PIN DIP-P	28480	1826-1946
U108	1820-6215	1	IC-INTERFACE RCVR BIPOLAR LINE DUAL	28480	1820-6215
U109	1826-0285	1	IC PWR MGT-V-REG-FXD-NEG -4.8/-5.2V 3	28480	1826-0285
U110	1820-3537	1	IC FF CMOS/HCT D-TYPE POS-EDGE-TRIG	28480	1820-3537
U200	1820-3456	1	IC DRVR CMOS/HCT BUS OCTL	28480	1820-3456
U201	1820-3848	1	IC FF CMOS/HCT D-TYPE POS-EDGE-TRIG COM	28480	1820-3848
U202	1820-3090	1	IC CNTR TTL/F BIN SYNCHRO POS-EDGE-TRIG	02237	74F161APC.

*\*Indicates factory-selected value*





NOTES:  
 1. DO NOT INSTALL TP308 AND TP301 FOR -5.5 V OUTPUT FROM +5V.  
 2. TO SET +5V TO +4.7V, INSTALL TP308 AND TP301. REMOVE R24, R26, AND C8.  
 3. REFERENCE DESIGNATORS WITHIN THIS ASSEMBLY ARE ABBREVIATED. PREFIX ABBREVIATION WITH ASSOCIATED NUMBER FOR COMPLETE REFERENCE DESIGNATOR.  
 4. UNLESS OTHERWISE INDICATED: RESISTANCE IN OHMS (Ω), CAPACITANCE IN MICROFARADS (μF), INDUCTANCE IN MICROHENRIES (μH).  
 5. THERMIONIC TABLE

MEMORIC	DESCRIPTION
08591-60098-1	RAW BD = 08591-20098

MEMORIC	SHEET
08591-60098-1	1
08591-60098-2	2
08591-60098-3	3
08591-60098-4	4
08591-60098-5	5
08591-60098-6	6
08591-60098-7	7
08591-60098-8	8
08591-60098-9	9
08591-60098-10	10
08591-60098-11	11
08591-60098-12	12
08591-60098-13	13
08591-60098-14	14
08591-60098-15	15
08591-60098-16	16
08591-60098-17	17
08591-60098-18	18
08591-60098-19	19
08591-60098-20	20
08591-60098-21	21
08591-60098-22	22
08591-60098-23	23
08591-60098-24	24
08591-60098-25	25
08591-60098-26	26
08591-60098-27	27
08591-60098-28	28
08591-60098-29	29
08591-60098-30	30
08591-60098-31	31
08591-60098-32	32
08591-60098-33	33
08591-60098-34	34
08591-60098-35	35
08591-60098-36	36
08591-60098-37	37
08591-60098-38	38
08591-60098-39	39
08591-60098-40	40
08591-60098-41	41
08591-60098-42	42
08591-60098-43	43
08591-60098-44	44
08591-60098-45	45
08591-60098-46	46
08591-60098-47	47
08591-60098-48	48
08591-60098-49	49
08591-60098-50	50
08591-60098-51	51
08591-60098-52	52
08591-60098-53	53
08591-60098-54	54
08591-60098-55	55
08591-60098-56	56
08591-60098-57	57
08591-60098-58	58
08591-60098-59	59
08591-60098-60	60
08591-60098-61	61
08591-60098-62	62
08591-60098-63	63
08591-60098-64	64
08591-60098-65	65
08591-60098-66	66
08591-60098-67	67
08591-60098-68	68
08591-60098-69	69
08591-60098-70	70
08591-60098-71	71
08591-60098-72	72
08591-60098-73	73
08591-60098-74	74
08591-60098-75	75
08591-60098-76	76
08591-60098-77	77
08591-60098-78	78
08591-60098-79	79
08591-60098-80	80
08591-60098-81	81
08591-60098-82	82
08591-60098-83	83
08591-60098-84	84
08591-60098-85	85
08591-60098-86	86
08591-60098-87	87
08591-60098-88	88
08591-60098-89	89
08591-60098-90	90
08591-60098-91	91
08591-60098-92	92
08591-60098-93	93
08591-60098-94	94
08591-60098-95	95
08591-60098-96	96
08591-60098-97	97
08591-60098-98	98
08591-60098-99	99
08591-60098-100	100

NOTE: HATCHED COMPONENTS ARE NOT LOADED FOR THIS ASSEMBLY  
 RAW BD = 08591-20098

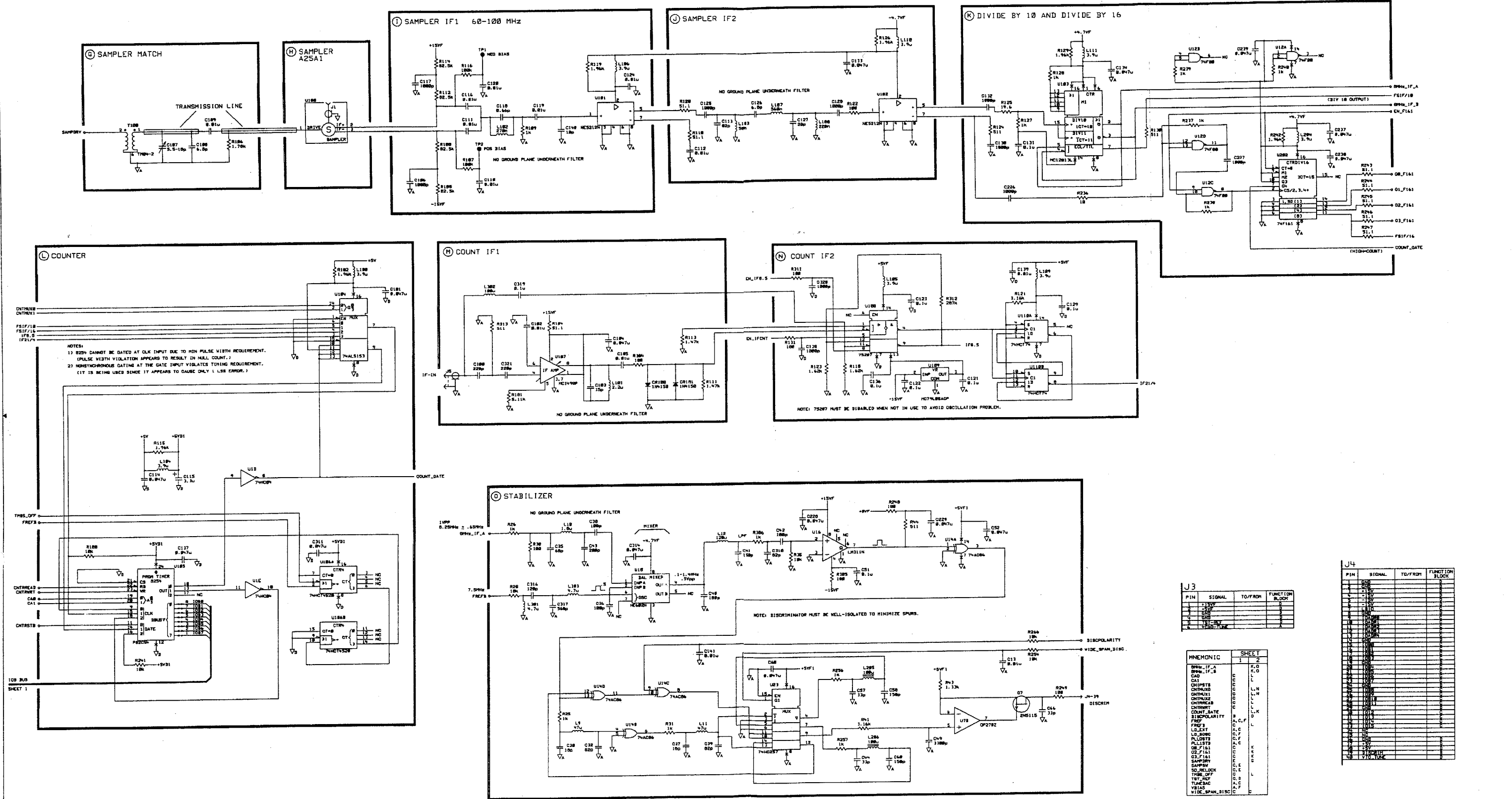
HP PROPRIETARY  
 THIS DOCUMENT CONTAINS CONFIDENTIAL, PROPRIETARY INFORMATION THAT IS HEWLETT-PACKARD (HP) PROPERTY. DO NOT DISCLOSE TO OR DUPLICATE FOR OTHERS EXCEPT AS AUTHORIZED BY HP.

BROWN BY	DATE	SHEET 1 OF 2	FILENAME	SCALE NONE	HEWLETT PACKARD
ENGINEER/CHECKER	DATE	2	08591-60098	PART NUMBER	D-08591-60098-1
RELEASE TO PROD.	DATE				
SUPERSEDES DWG.					



5300	BB3649	D-08591-60098-1
SYN	REVISIONS	APPROVED
A	AS ISSUED PER PCO 53-09160	DATE
B	CHANGES PER PCO 53-10052/ DM	09-18-96
C	CHANGED PER PCO 53-10907 /GH	02-07-97
		05-28-97

SAMPLER/SAMPLER IF/COUNT IF CIRCUITRY



NOTES:  
 1) 825H CANNOT BE GATED AT CLK INPUT DUE TO MIN PULSE WIDTH REQUIREMENT. (PULSE WIDTH VIOLATION APPEARS TO RESULT IN HALL COUNT.)  
 2) NONSYNCHRONOUS GATING AT THE GATE INPUT VIOLATES TIMING REQUIREMENT. (IT IS BEING USED SINCE IT APPEARS TO CAUSE ONLY 1 LSB ERROR.)

NOTE: 75087 MUST BE DISABLED WHEN NOT IN USE TO AVOID OSCILLATION PROBLEM.

NOTE: DISCRIMINATOR MUST BE WELL-ISOLATED TO MINIMIZE SPURS.

NOTE: HATCHED COMPONENTS ARE NOT LOADED FOR THIS ASSEMBLY  
 RAW 80 = 08591-20098

HP PROPRIETARY  
 THIS DOCUMENT CONTAINS CONFIDENTIAL, PROPRIETARY INFORMATION THAT IS HEWLETT-PACKARD (HP) PROPERTY. DO NOT DISCLOSE TO OR DUPLICATE FOR OTHERS EXCEPT AS AUTHORIZED BY HP.

J4

PIN	SIGNAL	TO/FROM	FUNCTION BLOCK
1	DISC		
2	DISC		
3	DISC		
4	DISC		
5	DISC		
6	DISC		
7	DISC		
8	DISC		
9	DISC		
10	DISC		
11	DISC		
12	DISC		
13	DISC		
14	DISC		
15	DISC		
16	DISC		
17	DISC		
18	DISC		
19	DISC		
20	DISC		
21	DISC		
22	DISC		
23	DISC		
24	DISC		
25	DISC		
26	DISC		
27	DISC		
28	DISC		
29	DISC		
30	DISC		
31	DISC		
32	DISC		
33	DISC		
34	DISC		
35	DISC		
36	DISC		
37	DISC		
38	DISC		
39	DISC		
40	DISC		

J3

PIN	SIGNAL	TO/FROM	FUNCTION BLOCK
1	DISC		
2	DISC		
3	DISC		
4	DISC		
5	DISC		
6	DISC		
7	DISC		
8	DISC		
9	DISC		
10	DISC		
11	DISC		
12	DISC		
13	DISC		
14	DISC		
15	DISC		
16	DISC		
17	DISC		
18	DISC		
19	DISC		
20	DISC		
21	DISC		
22	DISC		
23	DISC		
24	DISC		
25	DISC		
26	DISC		
27	DISC		
28	DISC		
29	DISC		
30	DISC		
31	DISC		
32	DISC		
33	DISC		
34	DISC		
35	DISC		
36	DISC		
37	DISC		
38	DISC		
39	DISC		
40	DISC		

MNEMONIC	SHEET
08591-IF_A	1
08591-IF_B	2
CA0	L
CA1	L
CHTR00	L,N
CHTR01	L,N
CHTR02	L,N
CHTR03	L,N
CHTR04	L,N
CHTR05	L,N
CHTR06	L,N
CHTR07	L,N
CHTR08	L,N
CHTR09	L,N
CHTR10	L,N
CHTR11	L,N
CHTR12	L,N
CHTR13	L,N
CHTR14	L,N
CHTR15	L,N
CHTR16	L,N
CHTR17	L,N
CHTR18	L,N
CHTR19	L,N
CHTR20	L,N
CHTR21	L,N
CHTR22	L,N
CHTR23	L,N
CHTR24	L,N
CHTR25	L,N
CHTR26	L,N
CHTR27	L,N
CHTR28	L,N
CHTR29	L,N
CHTR30	L,N
CHTR31	L,N
CHTR32	L,N
CHTR33	L,N
CHTR34	L,N
CHTR35	L,N
CHTR36	L,N
CHTR37	L,N
CHTR38	L,N
CHTR39	L,N
CHTR40	L,N
CHTR41	L,N
CHTR42	L,N
CHTR43	L,N
CHTR44	L,N
CHTR45	L,N
CHTR46	L,N
CHTR47	L,N
CHTR48	L,N
CHTR49	L,N
CHTR50	L,N
CHTR51	L,N
CHTR52	L,N
CHTR53	L,N
CHTR54	L,N
CHTR55	L,N
CHTR56	L,N
CHTR57	L,N
CHTR58	L,N
CHTR59	L,N
CHTR60	L,N
CHTR61	L,N
CHTR62	L,N
CHTR63	L,N
CHTR64	L,N
CHTR65	L,N
CHTR66	L,N
CHTR67	L,N
CHTR68	L,N
CHTR69	L,N
CHTR70	L,N
CHTR71	L,N
CHTR72	L,N
CHTR73	L,N
CHTR74	L,N
CHTR75	L,N
CHTR76	L,N
CHTR77	L,N
CHTR78	L,N
CHTR79	L,N
CHTR80	L,N
CHTR81	L,N
CHTR82	L,N
CHTR83	L,N
CHTR84	L,N
CHTR85	L,N
CHTR86	L,N
CHTR87	L,N
CHTR88	L,N
CHTR89	L,N
CHTR90	L,N
CHTR91	L,N
CHTR92	L,N
CHTR93	L,N
CHTR94	L,N
CHTR95	L,N
CHTR96	L,N
CHTR97	L,N
CHTR98	L,N
CHTR99	L,N
CHTR100	L,N

DRAWN BY	DATE	SCHEMATIC, PWA	s2acc098
ENGINEER/CHECKER	DATE	COUNTERLOCK	FILENAME
RELEASE TO PROD.	DATE		SCALE NONE
SUPERSEDES DWG.			SHEET 2 OF 2
			08591-60098
			PART NUMBER
			D-08591-60098-1